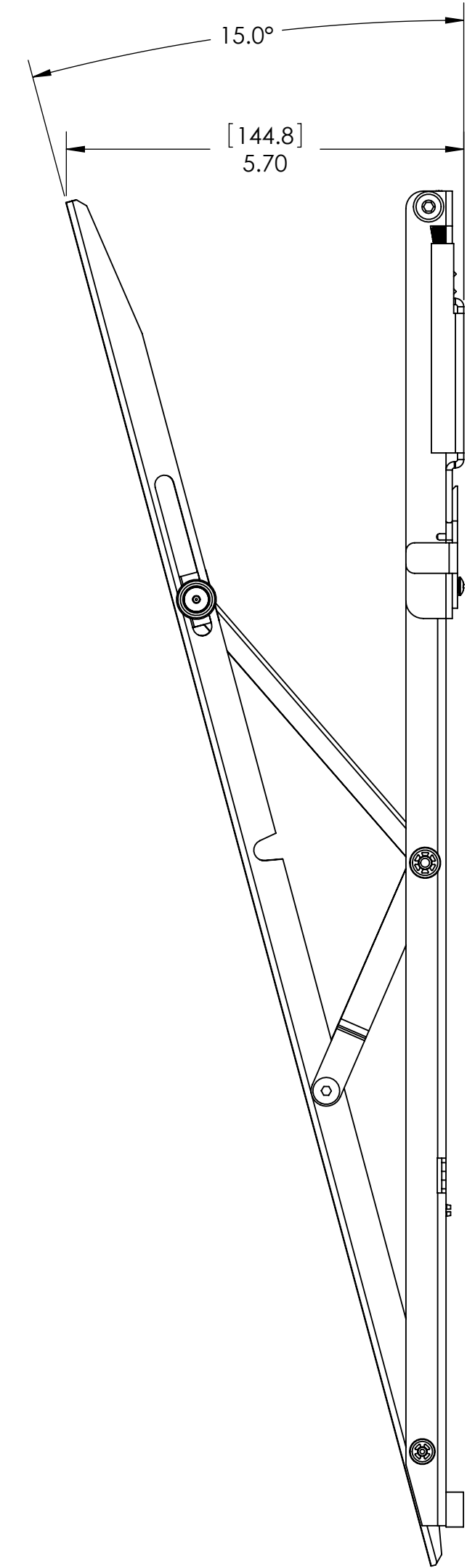
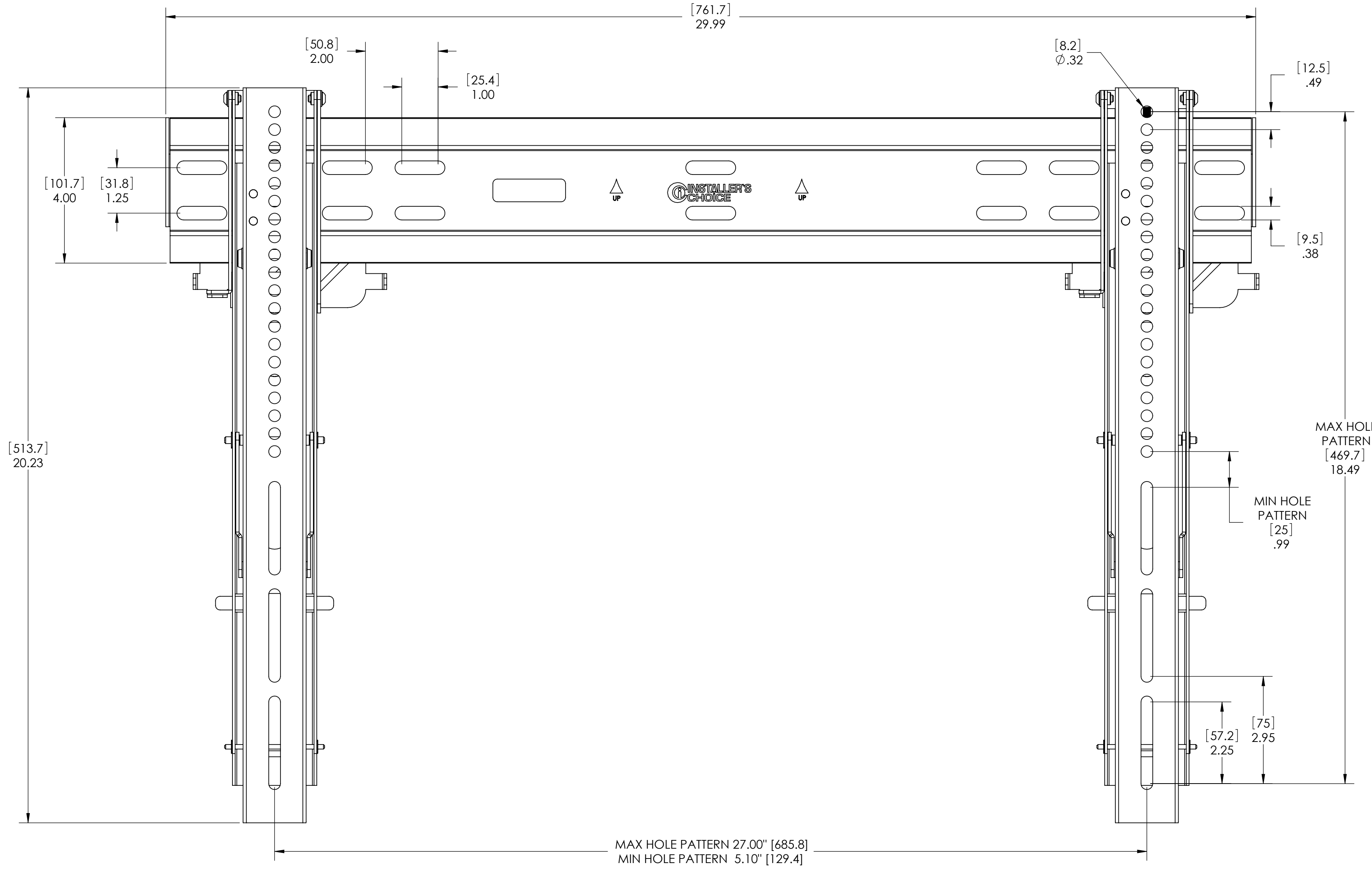
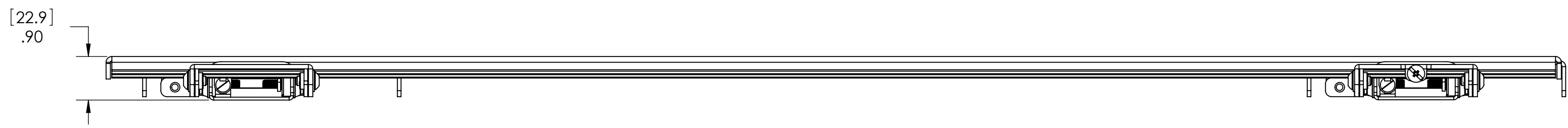
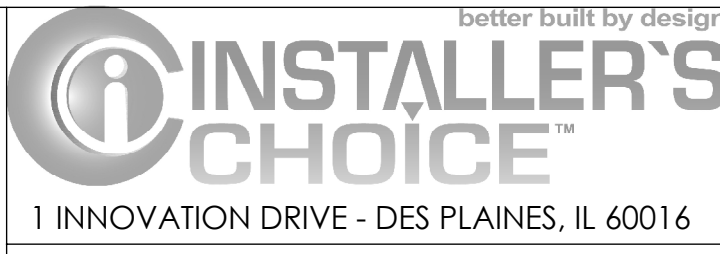


SPECIFICATIONS:	
PANEL SIZES:	37" TO 60"
WEIGHT CAPACITY:	100 lbs.
PRODUCT DIMENSIONS:	20 1/4" x 30" x 7/8"
TILT:	-9° TO 15°
MOUNTING PATTERNS:	200 X 200, 200 X 300, 400 X 200, 400 X 400 & 600 X 400



THESE DRAWINGS CONTAIN INFORMATION DEEMED PROPRIETARY TO IMS ENGINEERED PRODUCTS, AND ARE TO BE USED ONLY FOR THE PURPOSE FOR WHICH THEY ARE SUBMITTED. THEY SHALL NOT BE COPIED IN WHOLE OR IN PART WITHOUT THE EXPRESS WRITTEN PERMISSION FIRST OBTAINED FROM IMS ENGINEERED PRODUCTS.



WALL BRACKET, THIN MOUNT TILT

DRAWING NO.  
IC60T-TECHNICAL