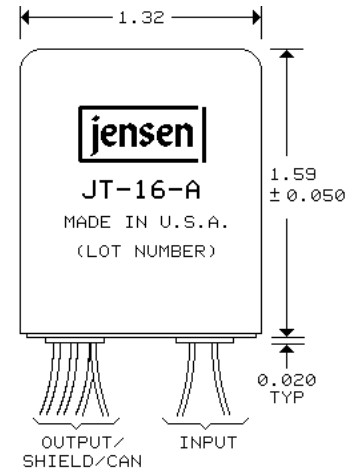


## Microphone Input Transformer

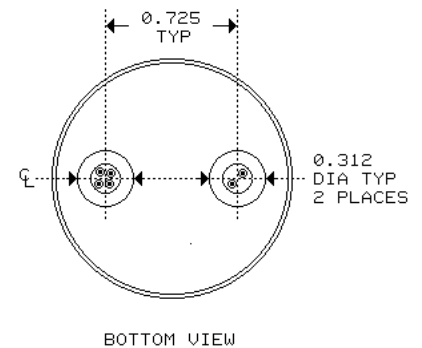
1:2 STEP-UP FOR ULTRA-LOW NOISE AMPLIFIERS

- Our highest performance mic input transformer
- Wide bandwidth: -3 dB at 0.45 Hz and 220 kHz
- Excellent time domain performance: DLP +1° typical
- Transformer related Noise Figure only 1.7 dB
- High common-mode rejection: 117 dB at 60 Hz

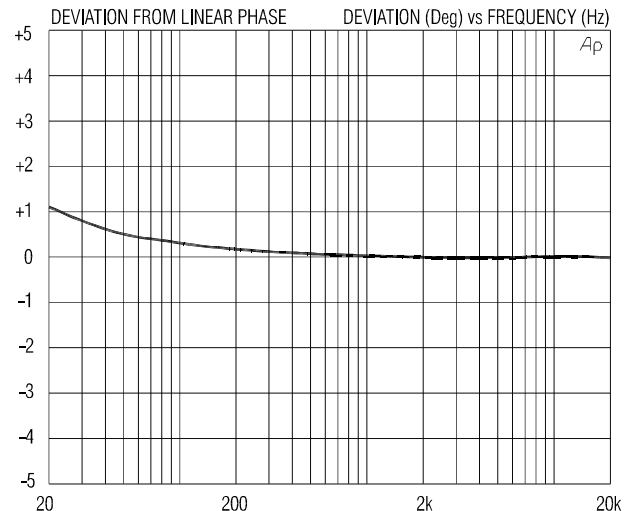
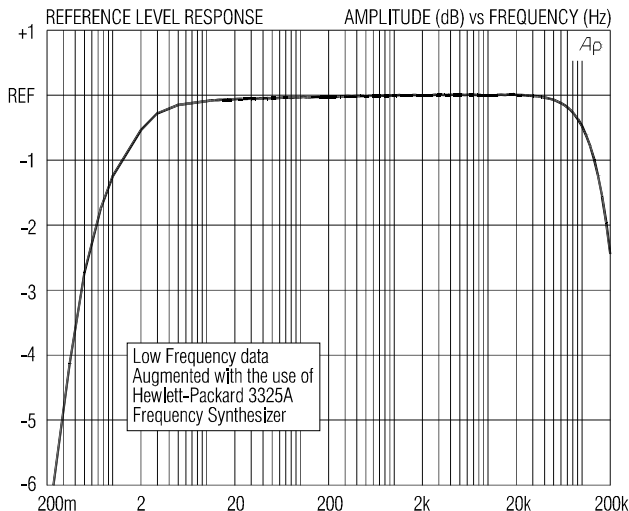
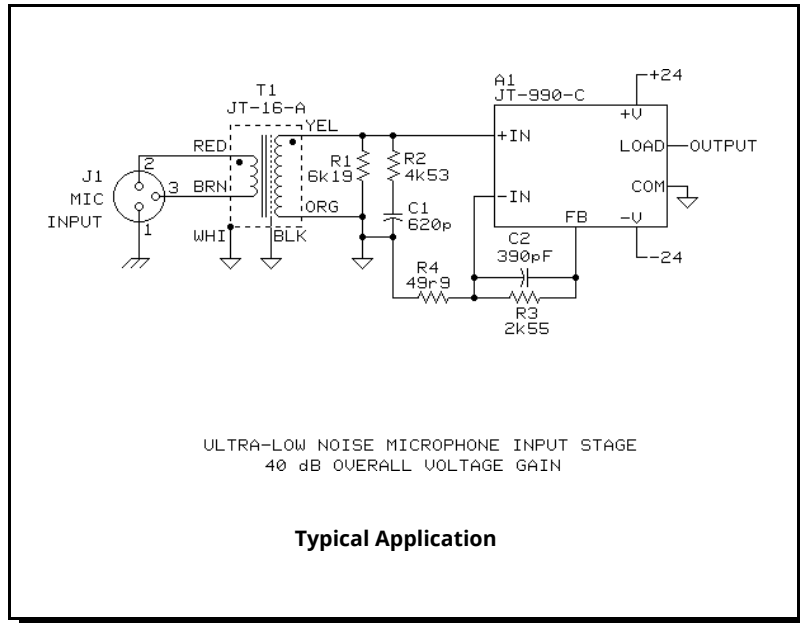
This transformer, with its 750 Ω secondary source impedance, will produce the best signal-to-noise performance with ultra-low  $e_n$  amplifiers such as the Jensen JT-990-C module. The primary is fully balanced and its leads may be reversed to invert polarity, if required. A 30 dB magnetic shield package is standard.

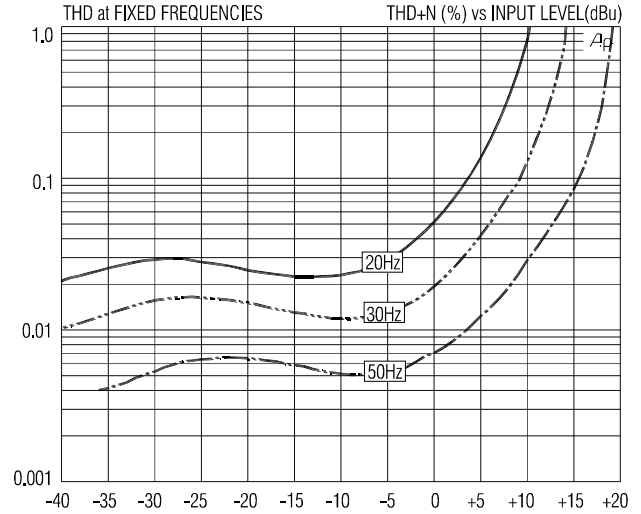
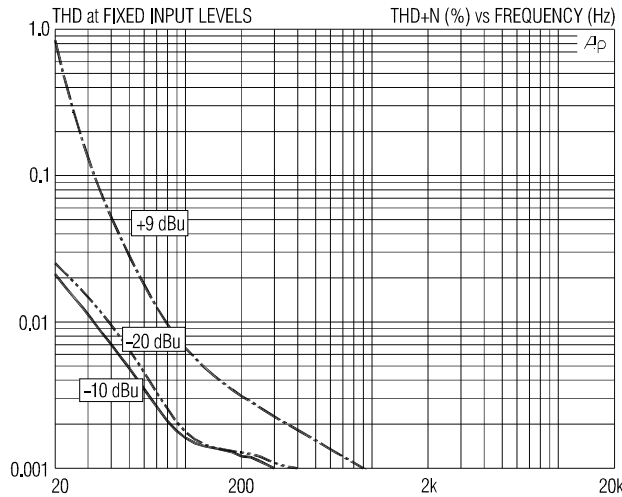


#26 AWG (7x34) UL STYLE 1061 COLOR CODED WIRE LEADS, 8" MINIMUM LENGTH



RECOMMENDED MOUNTING IS WITH UR-3 CLAMP (SUPPLIED WITH TRANSFORMER)

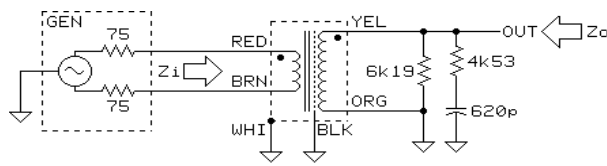




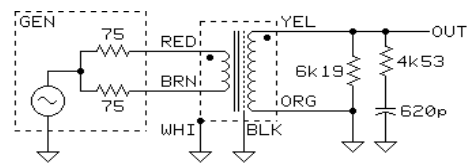
**JT-16-A SPECIFICATIONS** (all levels are input unless noted)

PARAMETER	CONDITIONS	MINIMUM	TYPICAL	MAXIMUM
Input impedance, $Z_i$	1 kHz, -20 dBu, test circuit 1	1.40 k $\Omega$	1.61 k $\Omega$	1.80 k $\Omega$
Voltage gain	1 kHz, -20 dBu, test circuit 1	5.4 dB	5.70 dB	6.0 dB
Magnitude response, ref 1 kHz	20 Hz, -20 dBu, test circuit 1	-0.15 dB	-0.06 dB	$\pm 0.0$ dB
	20 kHz, -20 dBu, test circuit 1	-0.1 dB	$\pm 0.00$ dB	+0.1 dB
Deviation from linear phase (DLP)	20 Hz to 20 kHz, -20 dBu, test circuit 1		+1.1/-0°	+2/-1°
Distortion (THD)	1 kHz, -20 dBu, test circuit 1		<0.001%	
	20 Hz, -20 dBu, test circuit 1		0.025%	0.08%
Maximum 20 Hz input level	1% THD, test circuit 1	+8.0 dBu	+9.7 dBu	
Common-mode rejection ratio (CMRR) 150 $\Omega$ balanced source	60 Hz, test circuit 2		117 dB	
	3 kHz, test circuit 2	75 dB	85 dB	
Output impedance, $Z_o$	1 kHz, test circuit 1		742 $\Omega$	
DC resistances	primary (RED to BRN)		23.5 $\Omega$	
	secondary (YEL to ORG)		148.7 $\Omega$	
Capacitances @ 1 kHz	primary to shield and case		534 pF	
	secondary to shield and case		355 pF	
Turns ratio		1:1.999	1:2.000	1:2.001
Temperature range	operation or storage	0° C		70° C
Breakdown voltage (see IMPORTANT NOTE below)	primary or secondary to shield and case, 60 Hz, 1 minute test duration	250 V RMS		

**IMPORTANT NOTE:** This device is NOT intended for use in life support systems or any application where its failure could cause injury or death. The breakdown voltage specification is intended to insure integrity of internal insulation systems; continuous operation at these voltages is NOT recommended. Consult our applications engineering department if you have special requirements.



TEST CIRCUIT 1



TEST CIRCUIT 2

All minimum and maximum specifications are guaranteed. Unless noted otherwise, all specifications apply at 25°C. Specifications subject to change without notice. All information herein is believed to be accurate and reliable, however no responsibility is assumed for its use nor for any infringements of patents which may result from its use. No license is granted by implication or otherwise under any patent or patent rights of Jensen Transformers, Inc.