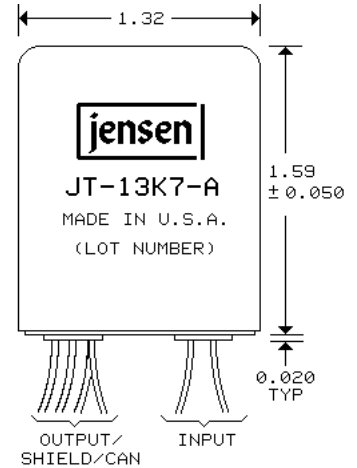


Microphone Input Transformer

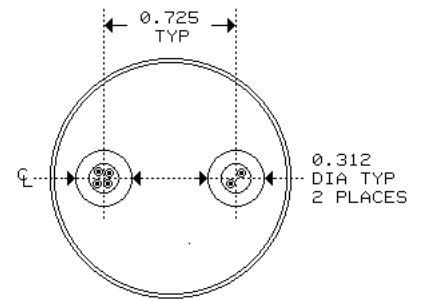
1:5 STEP-UP FOR MEDIUM IMPEDANCE AMPLIFIERS

- Optimum noise matching to many popular IC amplifiers
- Wide bandwidth: -3 dB at 0.9 Hz and 120 kHz
- 13.3 dB of voltage gain with Noise Figure of only 1.0 dB
- Input impedance of 1.5 kΩ for loading loss of 0.9 dB
- High common-mode rejection: 119 dB at 60 Hz

With its 4.1 kΩ secondary source impedance, this transformer not only optimizes noise performance of many IC or discrete amplifiers but also offers excellent CMRR as well. The primary is fully balanced and its leads may be reversed to invert polarity, if required. A 30 dB magnetic shield package is standard.

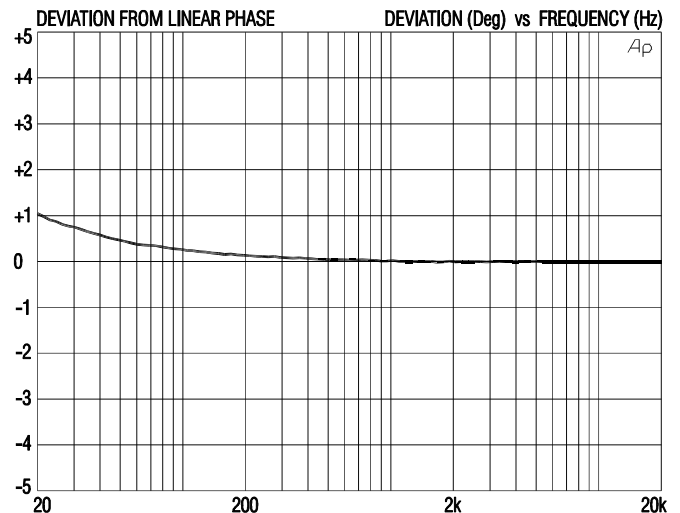
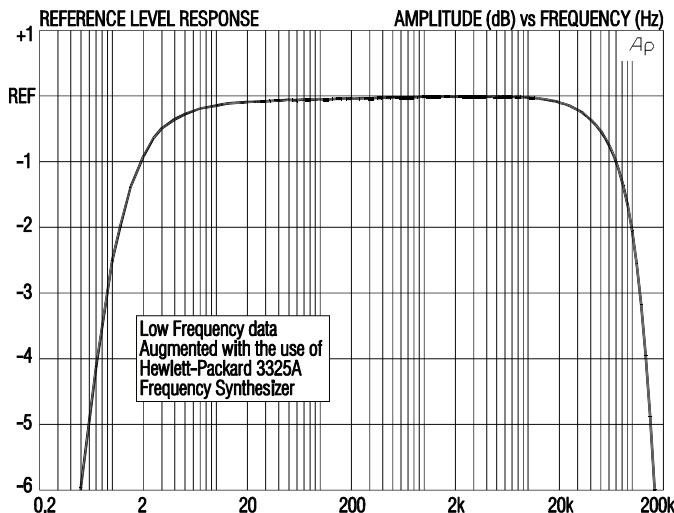
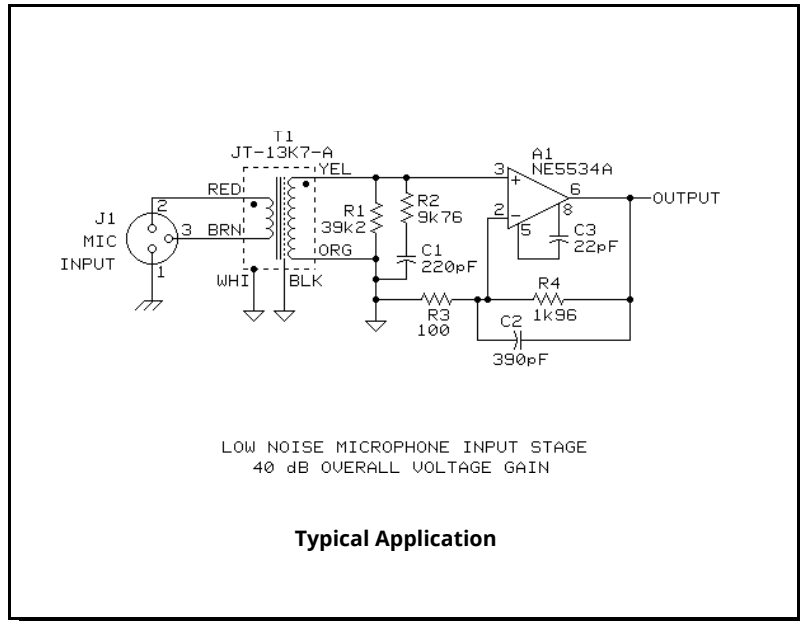


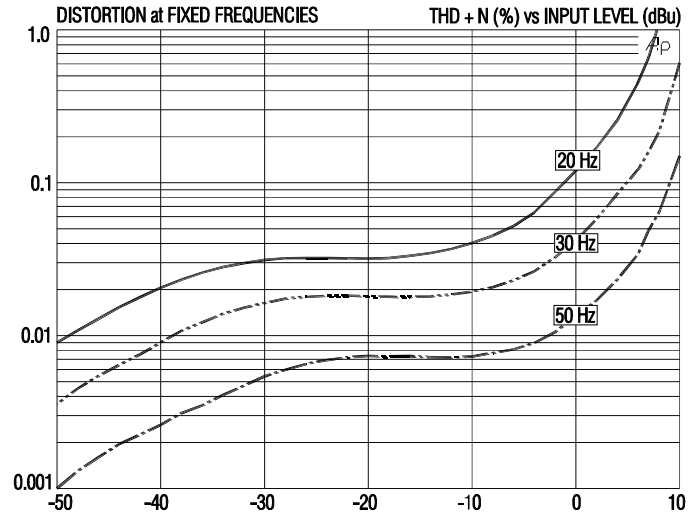
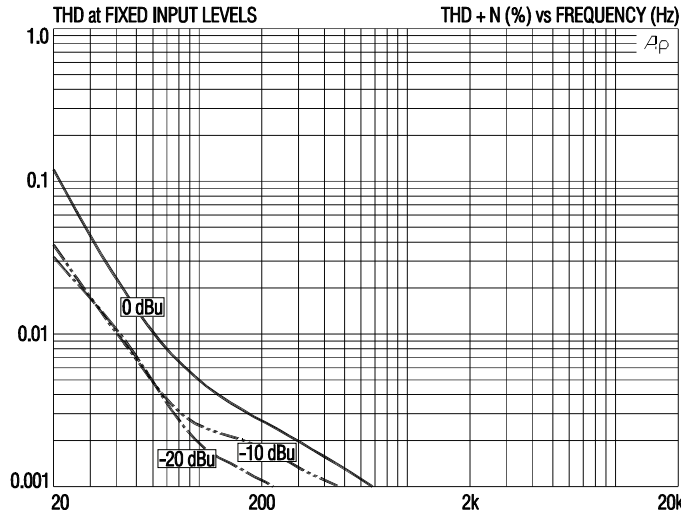
#26 AWG (7x38) UL STYLE 1061 COLOR CODED WIRE LEADS, 8" MINIMUM LENGTH



BOTTOM VIEW

RECOMMENDED MOUNTING IS WITH UR-3 CLAMP (SUPPLIED WITH TRANSFORMER)

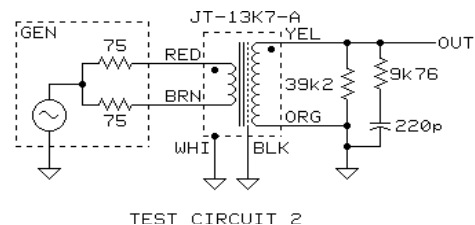
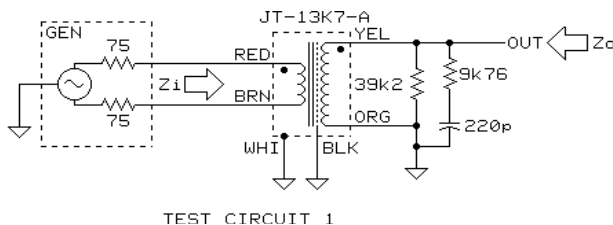




JT-13K7-A SPECIFICATIONS (all levels are input unless noted)

PARAMETER	CONDITIONS	MINIMUM	TYPICAL	MAXIMUM
Input impedance, Z_i	1 kHz, -20 dBu, test circuit 1	1.45 k Ω	1.54 k Ω	1.65 k Ω
Voltage gain	1 kHz, -20 dBu, test circuit 1	13.6 dB	13.8 dB	14.0 dB
Magnitude response, ref 1 kHz	20 Hz, -20 dBu, test circuit 1	-0.15 dB	-0.08 dB	± 0.0 dB
	20 kHz, -20 dBu, test circuit 1	-0.15 dB	-0.08 dB	± 0.0 dB
Deviation from linear phase (DLP)	20 Hz to 20 kHz, -20 dBu, test circuit 1		+1 $^\circ$	+2/-1 $^\circ$
Distortion (THD)	1 kHz, -20 dBu, test circuit 1		<0.001%	
	20 Hz, -20 dBu, test circuit 1		0.03%	0.1%
Maximum 20 Hz input level	1% THD, test circuit 1	+5.0 dBu	+7.0 dBu	
Common-mode rejection ratio (CMRR) 150 Ω balanced source	60 Hz, test circuit 2		119 dB	
	3 kHz, test circuit 2	75 dB	87 dB	
Output impedance, Z_o	1 kHz, test circuit 1		4.14 k Ω	
DC resistances	primary (RED to BRN)		17.4 Ω	
	secondary (YEL to ORG)		471 Ω	
Capacitances @ 1 kHz	primary to shield and case		517 pF	
	secondary to shield and case		378 pF	
Turns ratio		1:4.995	1:5.000	1:5.005
Temperature range	operation or storage	0 $^\circ$ C		70 $^\circ$ C
Breakdown voltage (see IMPORTANT NOTE below)	primary or secondary to shield and case, 60 Hz, 1 minute test duration	250 V RMS		

IMPORTANT NOTE: This device is NOT intended for use in life support systems or any application where its failure could cause injury or death. The breakdown voltage specification is intended to insure integrity of internal insulation systems; continuous operation at these voltages is NOT recommended. Consult our applications engineering department if you have special requirements.



All minimum and maximum specifications are guaranteed. Unless noted otherwise, all specifications apply at 25 $^\circ$ C. Specifications subject to change without notice. All information herein is believed to be accurate and reliable, however no responsibility is assumed for its use nor for any infringements of patents which may result from its use. No license is granted by implication or otherwise under any patent or patent rights of Jensen Transformers, Inc.