

DL-HDV Technical Specifications

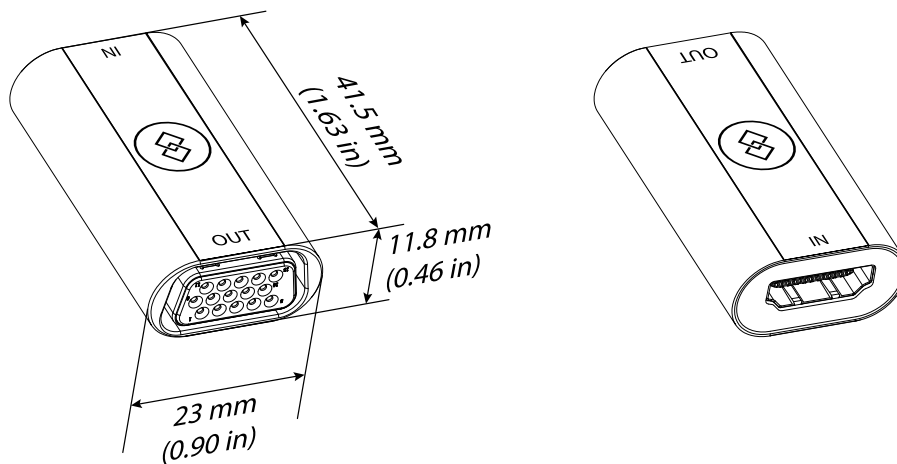
HDMI to VGA Converter

Rev 140625

The DigitalLinx DL-HDV is an HDMI to VGA converter designed to connect digital video sources to an analog display or projector.

The DL-HDV supports HDTV video resolutions up to 1080p and VESA video resolutions up to 1920x1200. Only non-encrypted signals will be converted and passed through the device to comply with HDCP specifications. Power for the converter is supplied by the VGA display; a secondary power supply is not required.

The small form factor and lack of external power sources make the DL-HDV an ideal accessory to carry with every mobile device with an HDMI output to prevent any issues connecting to legacy video systems.



I/O Connections	
HDMI Input	One (1) HDMI Type A Receptacle Connector
VGA Output	One (1) Female HD15 Connector
Supported Video	
HDTV Video Resolutions	720p (1280x720), 1080p (1920x1080)
VESA Video Resolutions	800x600, 1024x768, 1152x864, 1280x768, 1280x800, 1280x960, 1280x1024, 1360x768, 1366x768, 1400x1050, 1440x900, 1600x900, 1680x1050, 1920x1200
Maximum HDMI Distance	3m (10 ft)
Maximum VGA Distance	3m (10 ft)
Chassis and Environmental	
Enclosure	Painted Zinc Alloy
Dimensions	23 mm x 11.8 mm x 41.5 mm (0.90 in x 0.46 in x 1.63 in)
Shipping Weight	57 g (0.126 lb)
Operating Temperature	0° to +40° C (+32° to +104° F)
Operating Humidity	20% to 90%, Non-condensing
Storage Temperature	-10° to +60° C (+14° to +140° F)
Storage Humidity	20% to 90%, Non-condensing
Power, ESD, and Regulatory	
Power Source	via 5V DC connection VGA device
Power Consumption	5 watts (max)
ESD Protection	±8kV (air-gap discharge), ±4KV (contact discharge)
Regulatory	FCC, CE, RoHS
Other	
Warranty	2 years
Included Accessories	None