

DL-HDV Quick Start Guide

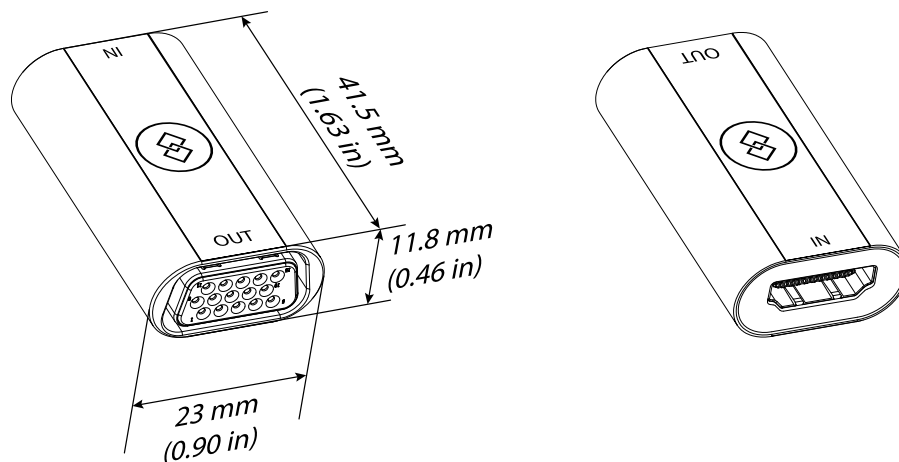
HDMI to VGA Converter

Rev 140623

The DigitaLinx DL-HDV is an HDMI to VGA converter designed to connect digital video sources to an analog display or projector.

The DL-HDV supports HDTV video resolutions up to 1080p and VESA video resolutions up to 1920x1200. Only non-encrypted signals will be converted and passed through the device to comply with HDCP specifications. Power for the converter is supplied by the VGA display; a secondary power supply is not required.

The small form factor and lack of external power sources make the DL-HDV an ideal accessory to carry with every mobile device with an HDMI output to prevent any issues connecting to legacy video systems.



Instructions:

1. Power on the display.
2. Connect a VGA cable between the display and the DL-HDV (OUT).
3. Power on the source device.
4. Connect an HDMI cable between the source device and the DL-HDV (IN).
5. Start presenting!