

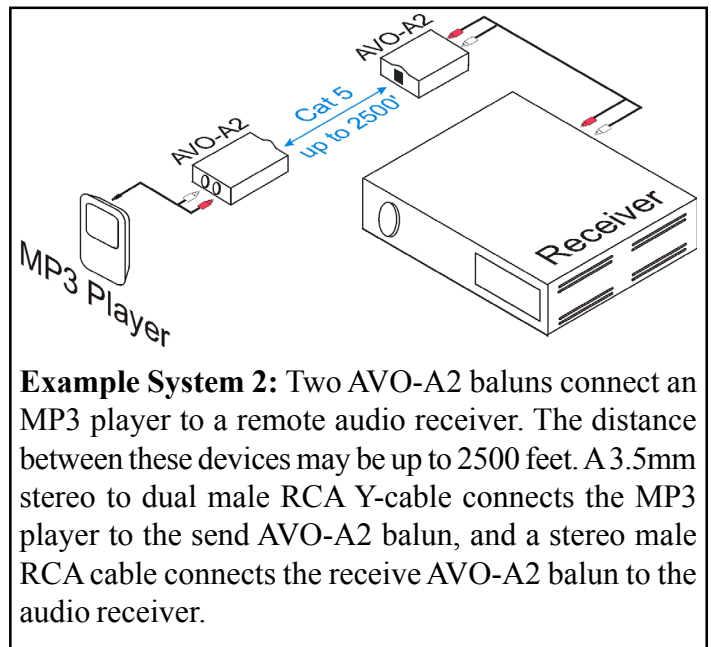
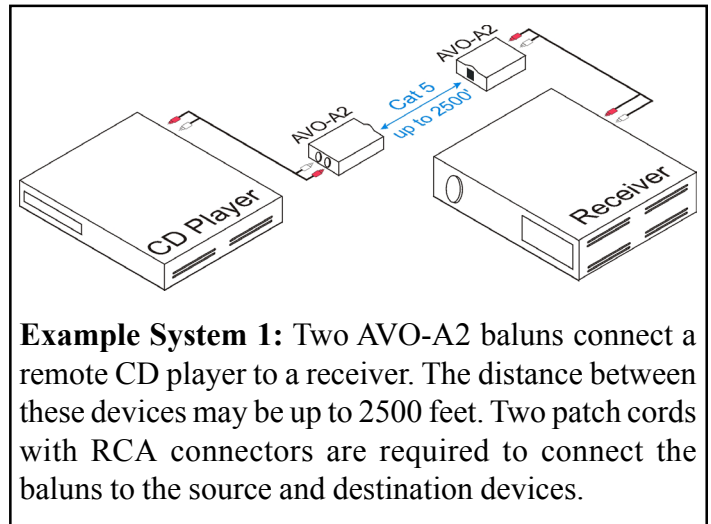


The Intelix AVO-A2 balun transmits two mono or a single stereo analog audio signal via standard structured cabling, such as Cat 5. Used in pairs, the AVO-A2 transmits analog audio in either direction up to 2,500 feet and is ideal for corporate A/V, churches, schools, auditoriums, and almost any other situation involving audio distribution.

The Intelix **AvoCat** Series of baluns is the ideal solution for sending audio and video over structured cabling. **When signal quality matters, choose Intelix.**

Technical Specifications

Maximum Distance*	2500 feet
Bandwidth	20 Hz to 20 kHz
Impedance	600 ohms, unbalanced
Isolation	500 V
Nominal Level	1.0 volts
Insertion Loss	1 dB
Common Mode Rejection	Greater than 40 dB
Unshielded Twisted Pair Cabling Specifications (24 gauge or lower solid copper)	Maximum capacitance: 20 pf/foot Impedance: 100 ohms @ 1 MHz Attenuation: 6.6 dB/1000 ft. @ 1 MHz <i>Cat 5, Cat 5e, Cat 6, Cat 7 compatible</i>
Connectors	Two (2) female RCA to one (1) RJ45
RJ45 Pinout	Channel 1 (R): 1 & 2, pair 2 Channel 2 (L): 3 & 6, pair 3
Temperature	Operating: 32 to 131 F (0 to 55 C) Storage: -4 to 185 F (-20 to 85 C) Humidity: up to 95%
Enclosure	Black plastic
Dimensions	4.3" x 2.5" x 1"
Weight	0.2 lbs (3.2 oz)
Ordering Information	<i>AVO-A2</i> : single AVO-A2 in bulk packaging <i>AVO-A2-PAC</i> : two AVO-A2 baluns in retail-ready packaging
Warranty	Two years



*Distances and picture quality may be affected by cable grade, cable quality, source and destination equipment, RF and electrical interference, and cable patches. Intelix specifications are based on straight-through cabling with standard-grade Cat 5.

