

UniDrive™

Model AVP-11

Residential Cat 5 HDTV Transmission System

Model 9880T is compatible with:

- Model 9880 Cat 5 Receiver
- Model 9879 Cat 5 Wallplate/Receiver
- Model 9878 Cat 5 Wallplate/Receiver

Overview

The UniDrive allows HDTV signals to be transmitted from a single source to a single remote location up to 1,000 feet away. Component video (YPbPr), analog stereo audio, and digital audio (coaxial) can all be sent down the two-cable Cat 5 pathway. By connecting IR remote control systems to the UniDrive system, users can easily control the source equipment from other rooms in the house. IR receiver and emitter products are not included with the UniDrive.

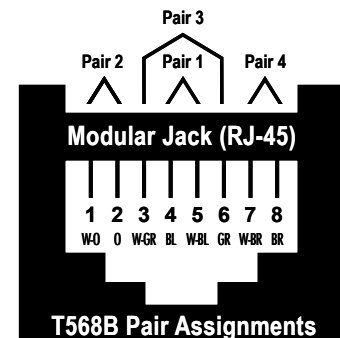
UniDrive System Design

The UniDrive system is comprised of the Model 9880T Cat 5 Transmitter and a Cat 5 Receiver, such as the Model 9880 (see the list of compatible Wallplate/Receivers above). These products enable distribution of audio, video and IR control signals on Cat 5 cable runs of up to 1,000 feet. DC power for the Wallplate/Receiver is supplied through the Cat 5 cable from the 9880T's power supply. The 9880 offers a unit chassis format to mount in or on a wall. If a Wallplate format is desired, Models 9879 and 9878 fit standard one- and two-gang electrical boxes, respectively. The following instructions refer to the 9880 Receiver, but Models 9878 and 9879 can be easily substituted.

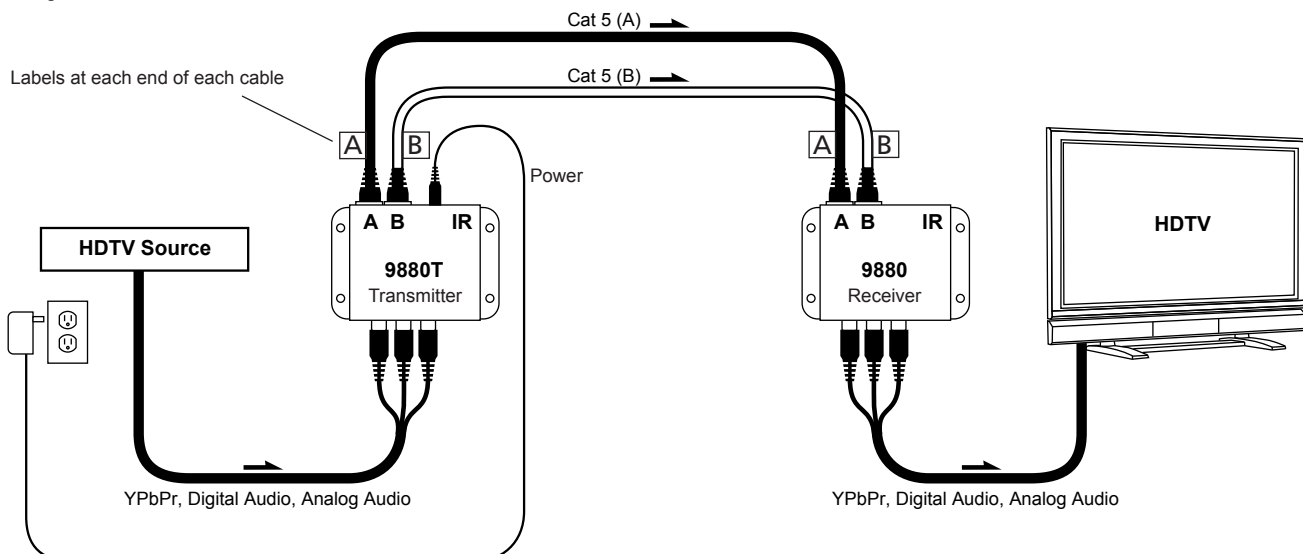
Rough-In

The Cat 5 Receiver is normally placed in or on the wall behind television displays or projectors that may be remotely located from the main home entertainment system which has a 9880T Transmitter. To assure service access, it is recommended that a two-gang plaster ring be provided for a 9880 Receiver if mounted inside a wall.

Pull two runs of good quality Category 5, 5e or 6 UTP cable from the driver location to the receiver location. Be careful not to pinch, kink, or tightly staple the cable. Mark both ends of the cables in each set A and B, and, if possible, use two different jacket colors of UTP cable for A and B. It will be helpful to note the cable length of the run because you will have to adjust the cable length compensation when installing the Cat 5 Receiver. Both cables should be of the same length. Install an RJ-45 plug on each end of the Cat 5 cables, using EIA-568 pairing (pins 1-2, 3-6, 4-5, 7-8). Check each cable with a professional **network cable tester** that verifies conductor pairs.



WARNING: continuity testing is not adequate; the twisted pairs must be placed in precise order in the connector, or damage to the equipment may occur.



Installing the Cat 5 Receiver

Plug the Cat 5 cables into the 9880; be sure to connect the A cable to the A jack and the B cable to the B jack. Adjust the cable length compensation if the cable between the Transmitter and Receiver is over 100 feet long. Set the compensation at 1 for cables 100-199 ft. long, and 2 for 200-299 ft. cables, etc. Take care to correctly connect the A and B cables, as incorrect wiring can damage the system.

Connect the display or projector to the Cat 5 Receiver using a high quality audio patch cord and component video cables.

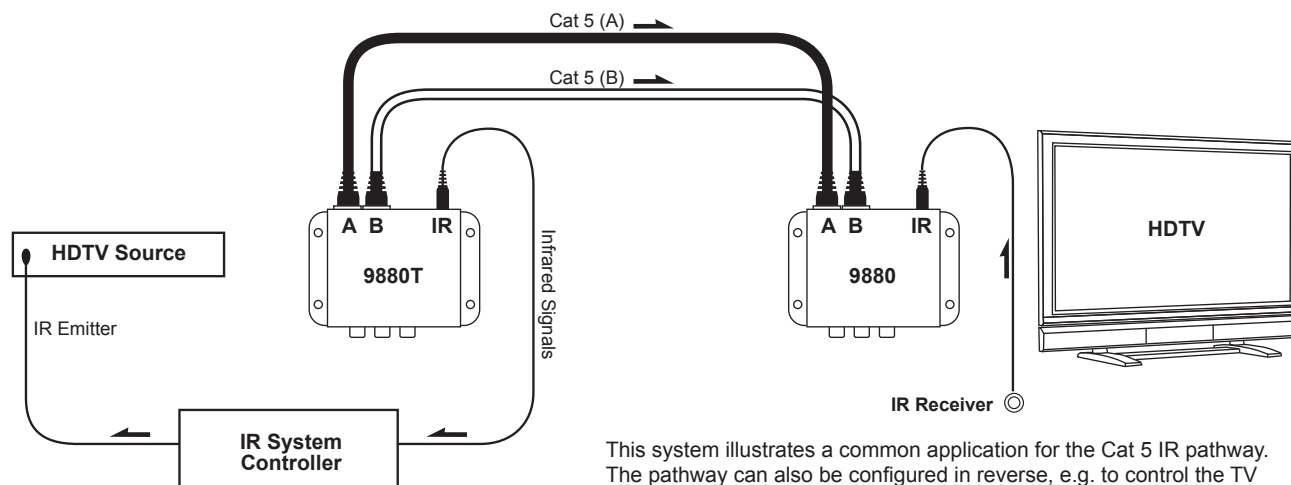
After connecting the entire system, you may wish to adjust the cable length compensation to optimize the setting. Use the MINIMUM compensation setting that still provides the best picture. It is ideal to make adjustments using the permanent source and TV for the location. Normally, the Transmitter and Receiver are located near their respective source and TV, but if long RCA cables must be used, compensate for this additional loss by increasing the cable compensation setting one click for each 200 feet of coaxial cable length.

Installing the 9880T Transmitter

Mount the 9880T module to any flat surface. Connect component video and all desired audio cables from the source equipment to the inputs of the 9880T. Plug the Cat 5 cables into the A and B jacks on the Transmitter, and double check that A and B cables are connected to the correct jacks. Power up the A/V equipment connected at each end and plug in the 9880T power supply to test the system.

Connecting to an IR network

The 9880 system provides a discrete three-wire pathway for a third party system. Connect an IR remote control system input to the Transmitter IR jack (see example diagram below). Connect an IR emitter or blaster to the Receiver and position it appropriately for the display or projector.



This system illustrates a common application for the Cat 5 IR pathway. The pathway can also be configured in reverse, e.g. to control the TV from the source location.

In Case of Difficulty

Call Audio Authority Technical Support at 800-322-8346, or outside the US and Canada, call 859-233-4599.

Audio Authority[®]

2048 Mercer Road, Lexington, Kentucky 40511-1071
Phone: 859-233-4599 • Fax: 859-233-4510
Customer Toll-Free USA & Canada: 800-322-8346
Website: <http://www.audioauthority.com>

Warnings

- To reduce the risk of fire or electric shock, do not expose this unit to moisture.
- Read these instructions before installing or using this product.
- This product must be installed by qualified personnel.
- Do not open the cover—there are no user-serviceable parts inside.
- Do not expose this unit to excessive heat.
- Install only in dry, indoor locations.