

2048 Mercer Rd. Lexington, KY 40511  
Phone: 859/233-4599 Fax: 859/233-4510  
Toll Free USA/Canada: 800/322-8346  
Website: www.audioauthority.com



Contact Audio Authority  
for a Free Quotation  
**800/322-8346**  
Customer Toll Free USA & Canada  
[sales@audioauthority.com](mailto:sales@audioauthority.com)

# High Definition Signal Control

- Component video resolutions up to 1080p
- IR remote control included, learns IR and is RS-232 capable
- Options include signal distribution and matrix router
- Outputs can be expanded up to 72 remote Cat 5 destinations
- Wallplates provide YPbPr, digital & analog audio plus IR
- Rack mountable



#### **Model 1156 and 1166 Features:**

- Six inputs, one output, HDCP compliant
- HDTV signal distribution options
- DVI (1166 only), component video, digital and analog audio
- Component video converted to DVI (1166 only)
- IR remote included, learns IR and is RS-232 capable

## Simple to Use

Right out of the box, the 1166 or 1156 High Definition AutoSelector™ is ready to connect up to six HD sources to your HDTV. No complex setup required. The 1166 incorporates Audio Authority's proven signal sensing technology, transparently adding to the user-friendliness of any multi-source HDTV system. When a new source is activated, the 1166 senses the new audio signal and switches its output to the desired source—no extra steps. The AutoSelector ships with a full-featured IR remote which can override or turn off AutoSelect. The front panel buttons can also be used to instantly switch to the desired source.

## Smart Flexibility

We designed the 1100 Series with simplicity in mind, but built in all the features needed to create an advanced system for HD living. For instance, it ships with a full-featured IR remote, but for more complex applications, its AutoSelect feature can be turned off and it can be operated solely by input from a 3rd party IR or RS-232 control system. The AutoSelector's output capacity can be expanded by adding one or more Cat 5 Matrix Routers or MultiDrivers for whole house HDTV signal distribution. Unique source names for the display can be entered using the front panel controls or our intuitive PC interface.

# Ultimate Control for Your HD Life

*Whether your application requires switching and control, or a full-fledged matrix for HD signal distribution, the 1166 manages all the AV activities in your household or business environment.*



## AutoSelect™

Audio Authority's proprietary Signal Sensing AutoSelect technology is one of the features that has made our switchers a favorite. Using AutoSelect means you don't have to have one more remote control to clutter the coffee table. AutoSelect senses new audio signals and switches to the newly activated input automatically—a transparent interface that makes your entertainment experience all about the entertainment, not the electronics.

## Video Signal Conversion (1166 only)

The 1166 makes it easy to connect both component and DVI video sources to a high definition TV with a DVI input (HDMI adapters may be used in many cases to convert DVI to HDMI or vice-versa). Both DVI and component video signals are routed to the unit's main outputs; however, a special circuit converts YPbPr signals to DVI-D, so both component video and DVI source signals are present on the DVI main output. No conversion takes place for DVI/HDCP signals, they are switched normally since the 1166 is HDCP compliant. So if you have a display with a DVI input, you can select all connected sources without changing the video input to the display...a very handy feature.

Model 1156 and 1166: 18 5/8" W x 3 1/2" H x 9 1/2" D  
Model 1170, 1171, and 1176: 18 5/8" W x 1 3/4" H x 9 1/2" D  
For height with feet add 1/2"

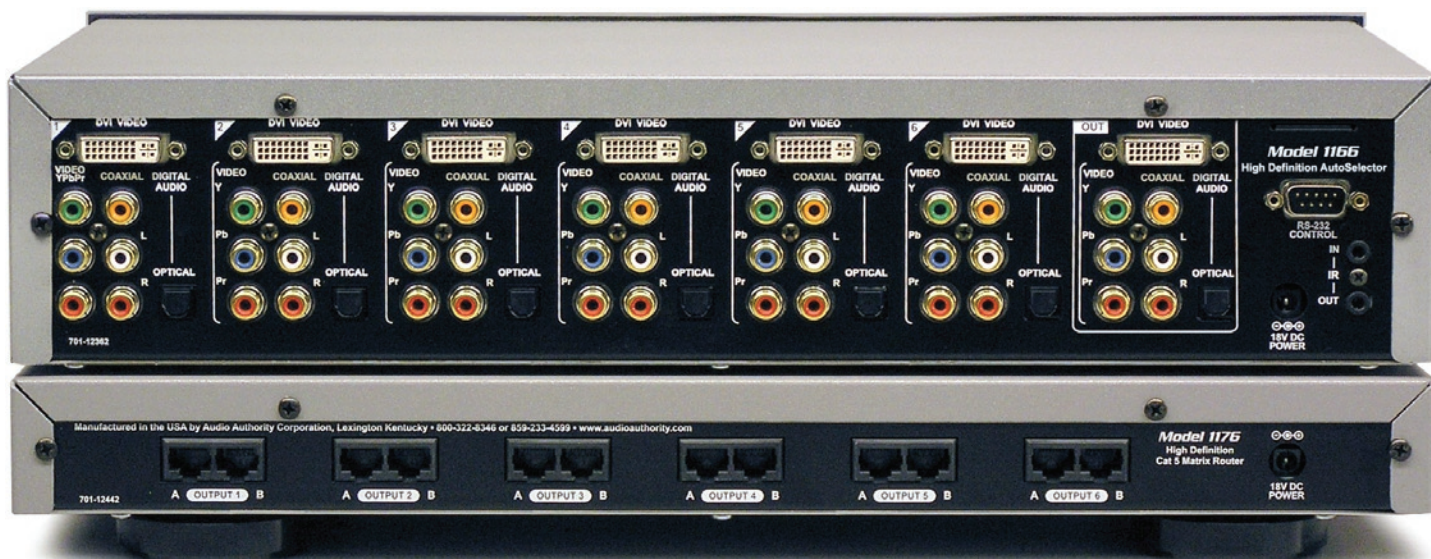
## Audio Signals

The 1156 and 1166 automatically convert incoming digital audio signal formats, so that every input position's digital audio is always available on both the coaxial and the optical output. Connections for analog stereo audio are convenient for TV sound or other audio applications when desired.

## Cat 5 Signal Distribution Networks

An AutoSelector's output\* can be expanded to feed six Wallplates over Cat 5 cable with our 1170 High Definition MultiDriver. The Wallplates have connections for component video, digital and analog audio. Multiple 1170s can be used to expand the network to up to 72 Wallplates.

An AutoSelector's outputs can also be fed to a Model 1176 Matrix Router to create a 6x6 matrix configuration of component video, digital and stereo audio signals from multiple sources to multiple



Model 1166 with one 1176. Up to 12 expanders (1170 or 1176) can be added to an AutoSelector to accommodate up to 72 Wallplates in remote locations.

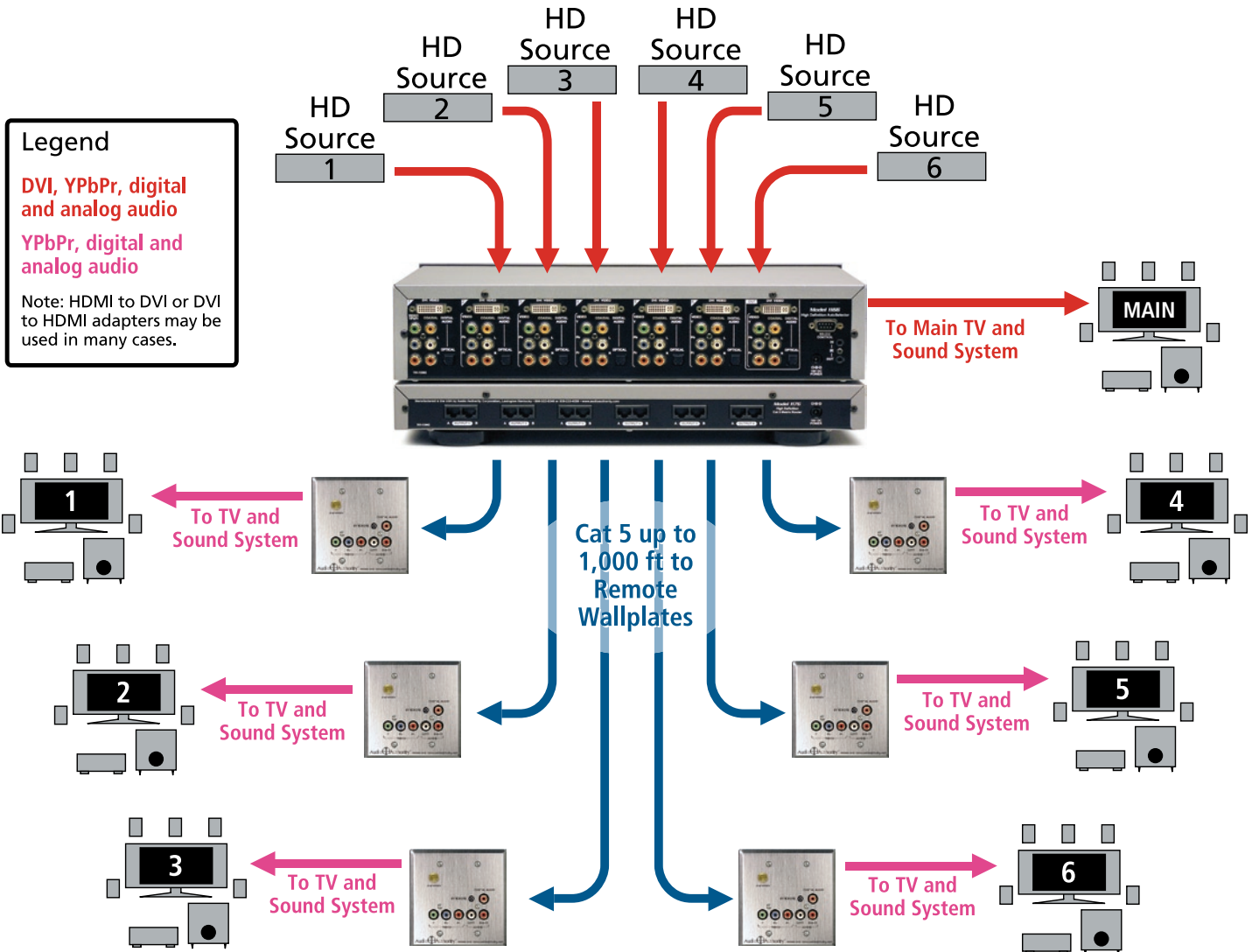
## Product Line Overview

1156	High Definition AutoSelector	Stand alone 6x1 switcher; expand outputs with 1170 and/or 1176
1166	High Definition AutoSelector	Stand alone 6x1 DVI/HDCP switcher; expand outputs with 1170 and/or 1176
1170	High Definition MultiDriver Expander	1x6 distribution expander; expands 1156, 1166 or 1171
1171	High Definition MultiDriver	Stand alone, 1x6 MultiDriver; expand outputs with 1170
1176	High Definition Matrix Router Expander	6x6 matrix output expander; expands 1156 or 1166
9878	Cat 5 Wallplate for remote connections	Terminates 1170, 1171, and 1176 outputs

Wallplates. Sources may be assigned in any configuration to each individual Wallplate. Up to 12 1176s may be used with one AutoSelector, for a total of 72 Wallplate locations.

Audio Authority's active gain equalization circuitry and balanced line transmission rejects unwanted signals so that Wallplates can be located up to 1,000 feet\*\* from the Driver or the Matrix without any frequency roll-off or signal attenuation. The original color and detail are faithfully preserved for your maximum enjoyment.

Component video, digital and analog audio signals are carried on two Cat 5 cables to each Wallplate. A return pathway for a 3rd party IR remote control system is also included. This pathway allows the desired source to be selected remotely via IR. The Wallplates also have a convenient F-connector as a pass-through for an antenna connection which allows terrestrial HD content from the Wallplate (an additional coaxial cable must be run for antenna functionality).



\* DVI source signals with HDCP cannot be distributed over an analog distribution network.

\*\* Always use a high quality cable with the lowest skew rate available when installing cables over long distances. Ask for Cat 5, Cat 5e or Cat 6 cable designed for video, which has tighter twist tolerances and matched conductor lengths.

## Custom Source Names

The 1156 and 1166 offer a degree of customization sure to please users of all levels. AutoSelectors are programmed with a list of generic labels for each source input shown on the front panel's fluorescent display. A four-character tag (DVD, CABL, GAME, etc.) for each of the six positions appears at the bottom of the display. However 13 large characters can be programmed by the user to show the full name of the active input. An intuitive setup screen allows a new name to be chosen from a list, or a custom name to be entered to suit the user's needs.

## Infrared and RS-232

Model 1105 IR remote can be used to program and operate the 1166 including remote source input selection. Infrared signals can be learned by the 1156 or 1166 so that existing remotes for sources can be used to switch instead of the 1166 remote, or the Signal Sensing AutoSelect feature. It is easy to teach the 1166 to switch on a command from an existing remote, such as the "play" command from a DVD player, or "channel" command from a satellite receiver. The 1166 can also respond to RS-232 commands sent from a 3rd party remote control system. RS-232 codes for the 1156 and 1166 are available from Audio Authority upon request.

Model 1105



## Expedited Custom Programming

Custom setup can be accomplished very quickly using a PC—just save your custom settings onto a flash memory card from Audio Authority's quick setup application and load it into the AutoSelector's memory card port on the rear panel. Parameters such as custom source names, default mode, installer contact information, firmware updates, and more can be loaded quickly and saved as a backup on the card for future use or multiple installations.

## Wallplates

The Cat 5 outputs from Models 1170, 1171 and 1176 terminate at special Wallplates (Model 9878) which provide a remote connection point for an HDTV and/or sound system. Each Wallplate can be adjusted to compensate for the cable length up to 1,000 ft. The active circuitry in the Wallplates is powered through the Cat 5 bus.



Model 9878

## Cat 5 HD Distribution

Audio Authority's Model 1171 Cat 5 MultiDriver provides a reliable, expandable solution for Cat 5 HDTV distribution. It can be rack mounted if desired (adapters sold separately). It accepts the AV output from a single source and distributes those signals via Cat 5 to six wallplates. Each of the Cat 5 outputs can transmit the AV signals over two twisted-pair cables up to 1,000 ft. from the source. Output capacity can be expanded using the 1170 MultiDriver expander to provide signal distribution for up to 72 Wallplates.

Like the 1166 and its expanders, the 1171, when used with a 3rd party IR control system, passes on IR commands transmitted from the Wallplate to control the source equipment.



Model 1171 can be used alone for up to six outputs, or stacked with up to 12 Model 1170 expanders for as many as 72 Wallplate outputs.