

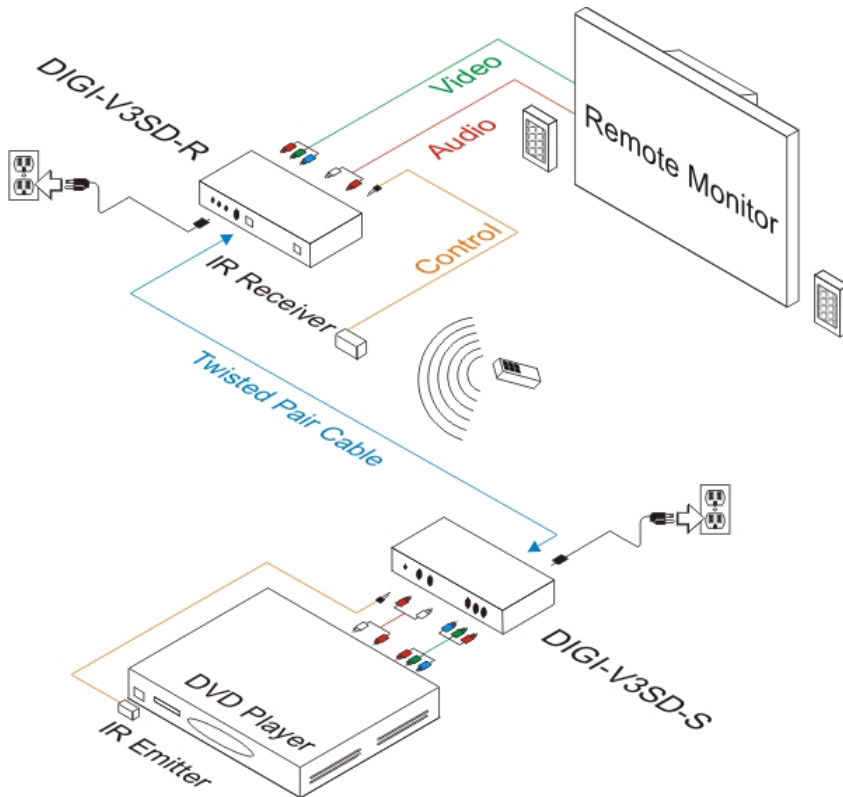


Tired of pulling multiple cables? Fed up with long, bulky cable runs? **Simplify with Intelix DIGI-V3SD extenders.**

Each DIGI-V3SD transmits component video, stereo audio, IR and RS232 up to 1,000 feet over a single twisted pair cable. Plus, built-in skew correction ensures perfect 1080i, 720p, 480i, and 480p video every time.

No matter the application, the SD Series has you covered.

Maximum Distance	1,000 feet	Operating Temperature Range	-41 to 95 degrees F -5 to 35 degrees C
Supported Signals	YPbPr, Y/C, composite video, stereo audio, IR, RS232	Enclosure	Metal
Supported Resolutions	1080i, 720p, 480i, 480p	Max Distance of AV Cables	6 feet
Video Bandwidth	300 MHz	Skew Adjustment	Front panel (R,G,B) trim pots on the receive unit
Audio Frequency Response	20 Hz to 20 kHz	Control	IR and bi-directional RS232
Send Unit Connectors	(3) RCA: video (2) RCA: audio (1) 1/8" mini: IR (1) DB9: RS232	IR Direction	From destination to source
Receive Unit Connectors	(3) RCA: video (2) RCA: audio (1) 1/8" mini: IR (1) DB9: RS232	Power	5 VDC
Operating Humidity Range	5 to 90% non-condensing	Diagnostic	Power LED
		Regulatory	CE, RoHS
		Shipping Weight	5.0 lbs
		Dimensions	5.25" x 3.38" x 1.00"
		Intelix Part Number	DIGI-V3SD
		Included Accessories	(2) 5 VDC power supplies
		Warranty	2 years



*Note: the DIGI-V3SD transmits IR or RS232, not both simultaneously. RS232 takes precedence over IR.

