

Extend HDMI® Signals Over a Single Coax Cable



Use an Existing Coax Cable to Transmit 1080p HDMI Signals Including Lossless Audio

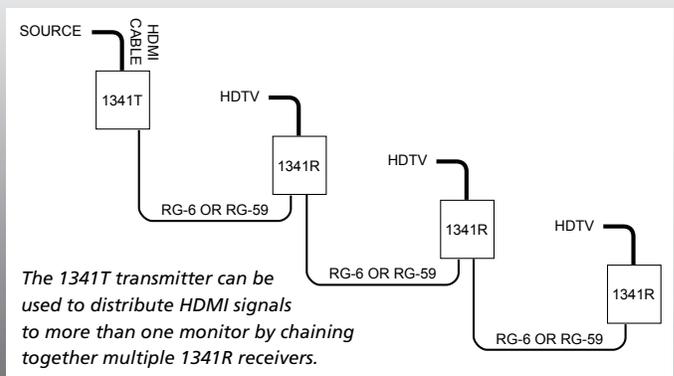
The HXE-11 Kit (1341T and 1341R) digitally transmits HDMI signals over a single coax cable to achieve distances many times those possible using an HDMI cable. Excellent for retrofit or new construction, the HXE-11 system is an ideal extender offering high quality 1080p video with embedded multi-channel audio.

The 1341R receiver has a cascade output, allowing multiple video displays to receive HDMI signals from one source. Simply add more receivers and daisy-chain using BNC terminated RG-6 or RG-59 cable.

HXE-11 FEATURES:

- Plug and play – no complex setup or programming
- Quick synchronization means maximum up-time
- Requires only one BNC-terminated coax cable
- HXE-11 kit includes one 1341T Transmitter and one 1341R Receiver, also available separately
- Up to 200 ft. cable length using RG-6 with 1080p and lossless audio
- Up to 300 ft. cable length using RG-6 with 1080i/720p with lossless audio
- Up to 200 ft. cable length using RG-59 with 1080i/720p with lossless audio
- HDMI version 1.3 and HDCP compliant
- Supports 1080p, 1080i and 720p video
- Supports Lossless bitstream audio (Dolby TrueHD, DTS-HD: Master Audio, Multichannel LPCM)

Cascaded System for Multiple TVs



SPECIFICATIONS:

| | | | |
|---------------------------------|---|-------------------------------|--|
| 1341T Transmitter | 1x via HDMI connector – HDMI input | Digital Audio | Multi-channel, lossless audio formats |
| 1341R Receiver | 1x via HDMI connector – HDMI output | Operating Temperature | 0° to +50° C (+32° to +122° F) |
| Transmitter Coaxial Connections | 1x via BNC connector – coaxial output | Operating Humidity | 10% to 90%, Non-condensing |
| Receiver Coaxial Connections | 1x via BNC connector – coaxial input | Storage Temperature | -10° to +70° C (12° to +158° F) |
| | 1x via BNC connector – coaxial cascade | Storage Humidity | 10% to 90%, non-condensing |
| Minimum resolution | 720p | Extender Regulatory Approvals | HDMI, HDCP, RoHS |
| Maximum resolution | 1080p (1920x1200, 1080p/60Hz) | Power Supply | UL, CUL, CE, PSE, GS, RoHS |
| HDMI TMDS clock speed | 225MHz | Coaxial Cable Requirements | RG-6 or RG-59 (See manual for details) |
| HDMI Data bit rate | 2.25Gbps | Dimensions: H-W-D inches (mm) | 1.1 x 3.9 x 3.65 (28x100x93mm) |
| Maximum RG-6 cable length | 200 ft. (90m) with 1080p / lossless audio | Power Adapter | 5 VDC@2A |
| | 300 ft. (60m) with 1080i / lossless audio | User Manual | Printed, 12 pages |
| | 300 ft. (60m) with 720p / lossless audio | Limited Warranty | 1 year parts and labor |