

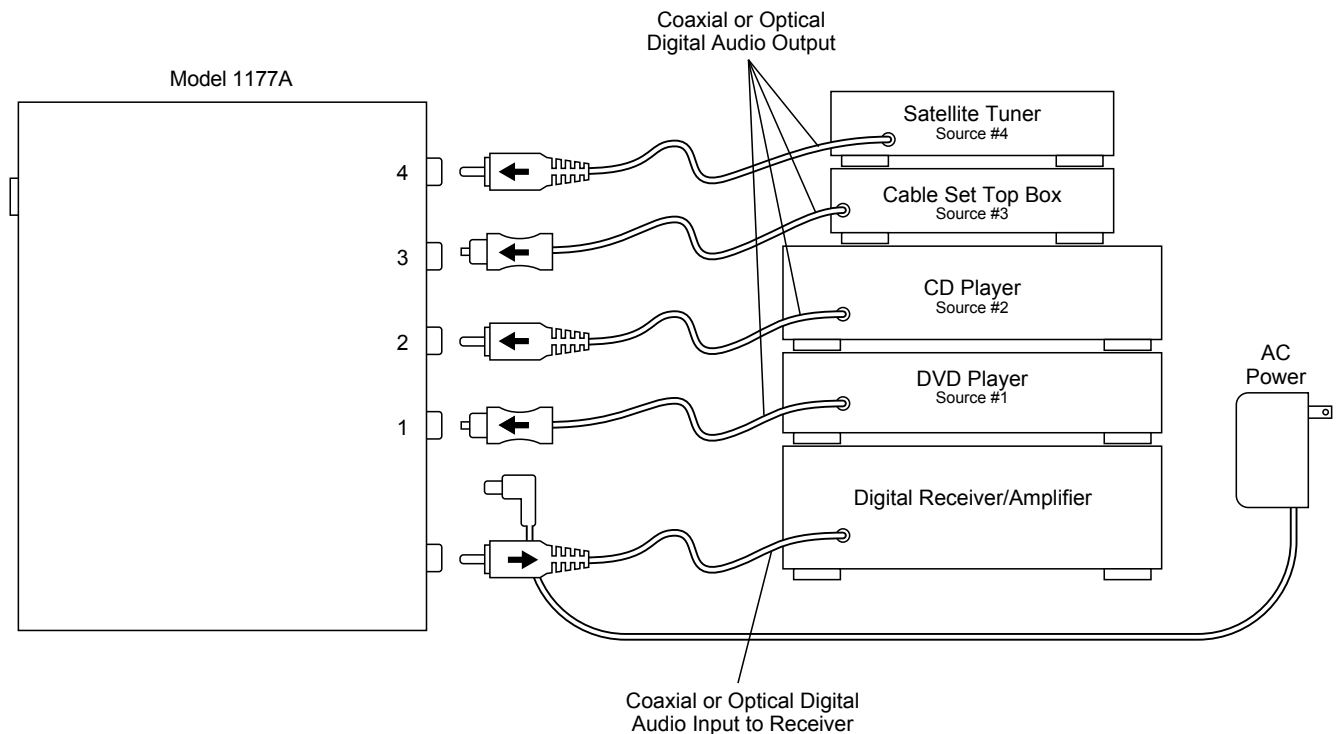
Model 1177A!%Hookup Instructions

Connect any 4 sources' digital audio outputs to the 1177A-1 coaxial (RCA) or optical (TosLink™) inputs. Since the 1177A-1 "autoselects" the source from which it senses any digital audio signal, connect the sources in accordance with your preference of priority for the autoselect feature. Many source components transmit a carrier signal even when the play button is not on. So if one source, such as a satellite tuner, is always on, other sources should have higher priority. Connect the lowest priority source to position #4 and the highest priority to position #1.

Now connect the 1177A-1 output to your digital receiver (either coax or optical). Apply AC power to the 1177A and other components, and test the system. Turn on one source at a time and observe the desired automatic switching behavior.

If you prefer to keep all components on, you can use the manual select button to switch between sources.

Interpret the LEDs as follows: Green = Signal present; Red = Selected; Flash = Selected, No signal.



Warnings

To reduce the risk of fire or electric shock, do not expose this unit to rain or moisture.

- Read these instructions before installing or using this product.
- This product must be installed by qualified personnel.
- Do not open the cover—there are no user-serviceable parts inside.
- Do not expose this unit to excessive heat.
- Install only in dry, indoor locations.
- Clean the unit only with a dry or slightly dampened soft cloth.

Audio Authority®

2048 Mercer Road, Lexington, Kentucky 40511-1071
Phone: 859-233-4599 • Fax: 859-233-4510
Customer Toll-Free USA & Canada: 800-322-8346
Web: www.audioauthority.com

752-547-1
06/2012