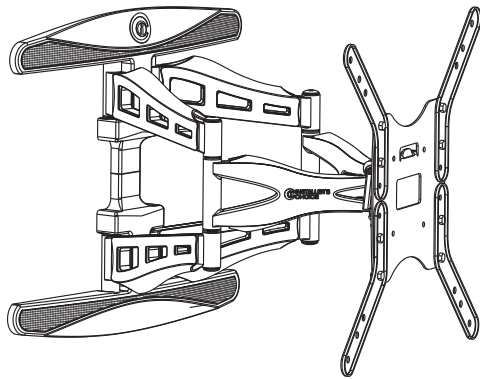


IC60S2A2 Flat Panel Mount INSTRUCTION MANUAL



Fits most 40"-60" Flat Panel Display
Weight capacity: 56.7kg (125lbs)
Mounting hole patterns: 100×100, 200×100, 200×200, 300×300, 400×400mm

⚠ WARNING ⚠

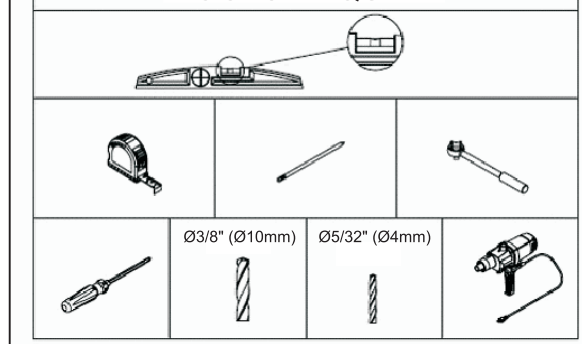
Severe personal injury and property damage can result from improper installation or assembly. Read the following warning carefully before beginning.

- Products must be installed by professionals.
- If you do not understand the instructions or have any concerns or questions, please contact a qualified local installer.
- Do not install or assemble if the product or hardware is damaged or missing, if you require replacement parts, please contact your local distributor for assistance.
- This product fits most 40"-60" LCD / plasma screen; maximum weight of LCD / plasma screen: 56.7kg / 125lbs.
- This product has been designed for use on a vertical walls constructed of wood studs (minimum 2" x 4" inch (51x102mm)) or masonry (solid concrete, 2000 PSI density minimum). Wood studs with a spacing at 16" inch (406mm) on center.
- For safe installation, the wall you are mounting to must support minimum 4 times the weight of the total load (the mount, the TV and all accessories).
- Do not use this product for any other application than originally designed.
- This product contains moving parts, please use with caution.
- When installing flat panel display, please do not damage electrical wiring or power source.
- The manufacturer will bear no responsibility for mounting to the vertical wall, or incidental or consequential damages arising thereof.
- The manufacturer disclaims any liability for the modifications, improper installation, or installation over the specified weight range.
- The manufacturer will not be liable for any damages arising out of the use of, inability to use, the product.

Parts List :

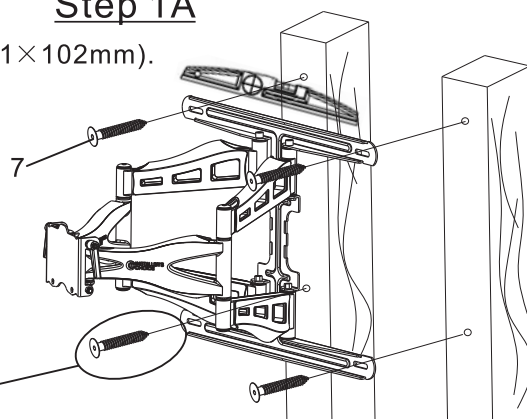
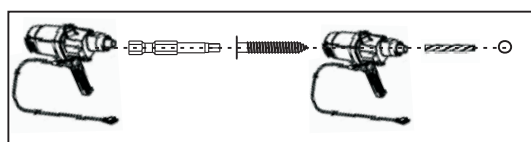
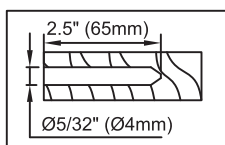
- | | |
|------------------------|-----------------------|
| 1- (M5×25)-4pcs | 9- (M8)-1pcs |
| 2- (M6×25)-4pcs | A- (M6×15)-8pcs |
| 3- (1/2"×1/4")-4pcs | B- (M6)-8pcs |
| 4- (M6)-1pcs | C- (M8. 2×20×5)-4pcs |
| 5- (10mm)-1pcs | D- (M8×15)-4pcs |
| 6- (4mm)-1pcs | |
| 7- (1/4"×2.5")-4pcs | |
| 8- (1/4"×2 3/8")-4pcs | |

TOOLS REQUIRED

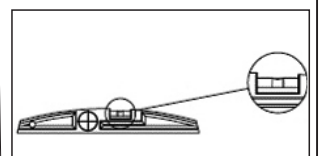


Step 1A

When mounting on wood studs(2"×4"inch)(51×102mm).
No wall anchors used(8).

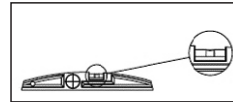
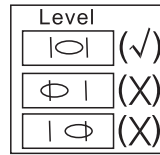
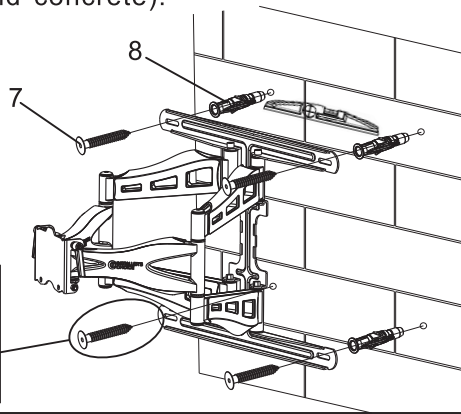
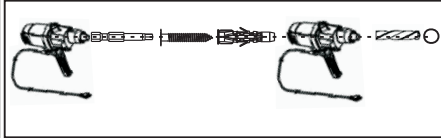
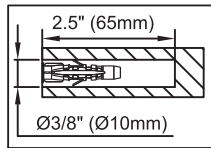


Level	
	(✓)
	(X)
	(X)



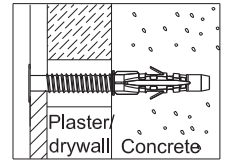
Step 1B

When mounting on masonry (solid concrete).
Use wall anchors (8).

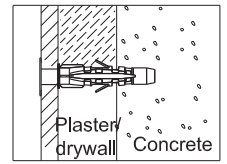


Warning

Correct (✓)

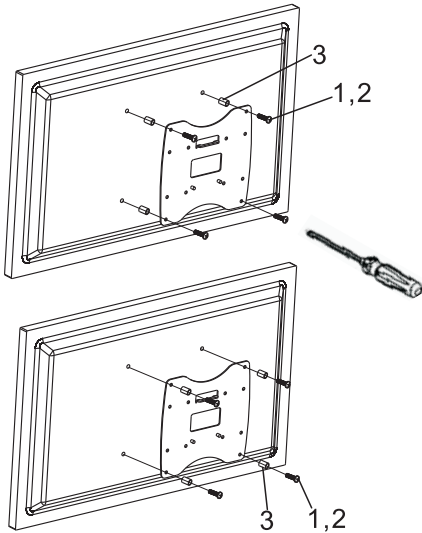


Incorrect (X)



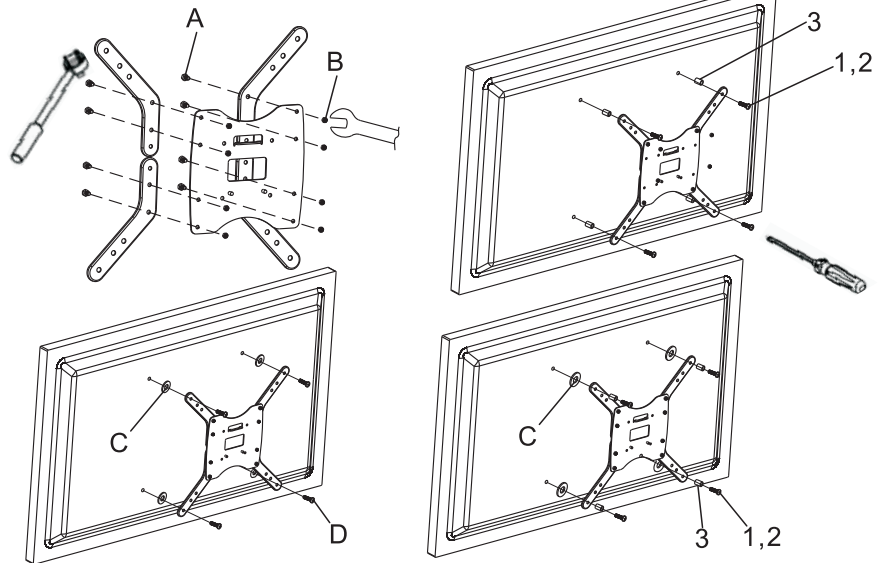
Step 2A

Mounting hole patterns $\leq 200 \times 200$ mm

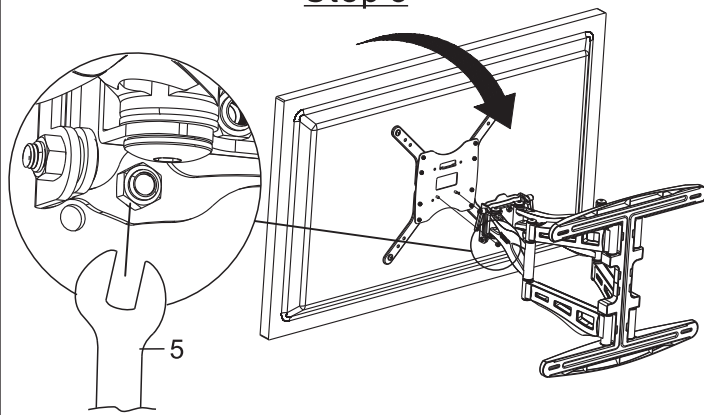


Step 2B

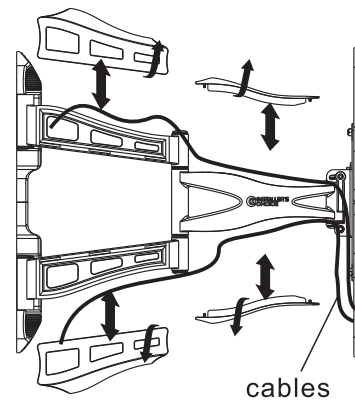
Mounting hole patterns $> 200 \times 200$ mm



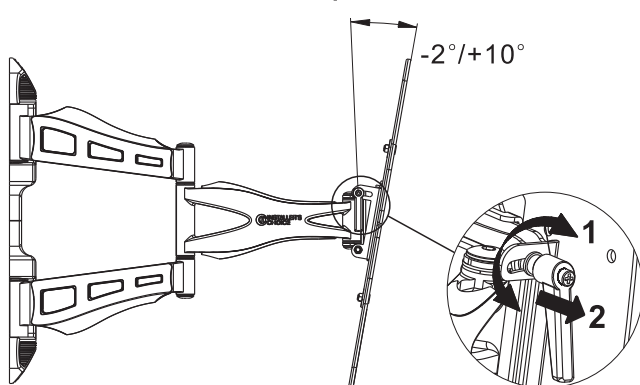
Step 3



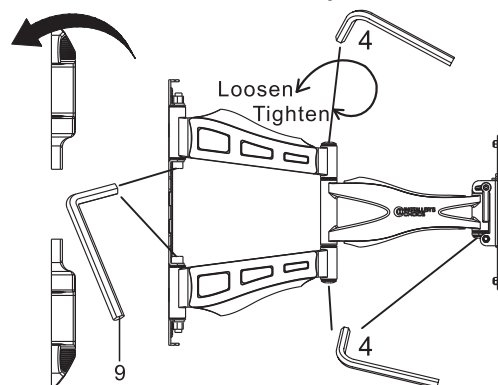
Step 4



Step 5



Step 6



Please read **INSTALLERS CHOICE™** Wall Mount Instructions **BEFORE** Installation

Thank you for choosing an INSTALLERS CHOICE™ Wall Mount. This product has been specifically designed to mount and secure flat panel televisions off the wall – providing proper flat panel display viewing angles.



Do not use this product for any purpose not explicitly specified by Installer's Choice™. The size and weight of your Flat Panel Display must not exceed the stated weight loads established for each Installer's Choice™ model (see cover page). Failure to comply with these requirements could result in serious injury or property damage. If you do not understand these directions, or have doubts about the safety of the installation, contact Installer's Choice™ Customer Service @ 847-391-8100. Installer's Choice™ is not liable for damage/injury caused by incorrect mounting, assembly, or use.

Supplied Parts and Instructions

Before starting installation, please read ALL instructions carefully. Verify all parts are included and undamaged. If any parts are missing or damaged, do not return the item to your dealer/installer-contact Installer's Choice™ Customer Service @ 847-391-8100.

Tools Required

Level	Drill	
Pencil	Socket Wrench	
Tape Measure	Screw Driver (Philips and Flat Head)	Optional: Stud Finder

Installation Hardware

ALL necessary hardware to install you Flat Panel Display mount has been provided from Installer's Choice™. This includes mounting hardware for Concrete, Brick, Concrete Block and Wood Stud walls. Please see the hardware packet included in the internal packaging of this box.

Disclaimer

While Installers Choice™ /IMS Engineered Products makes reasonable efforts to include accurate and up-to-date information on its Wall Mount Assembly Instructions, it makes no warranties or representations as to its accuracy. Information in this Instruction Manual may contain technical inaccuracies or typographical errors and may be changed or updated without notice. IMS EP may also make improvements and/or changes in the products and/or the programs described at any time without notice. IMS EP assumes no liability or responsibility for any typographical or other errors or omissions in the content in this installation manual.

Limitation of Liability

Installers Choice™ disclaims any responsibility for loss of time or use of parts or equipment wherein Installers Choice™ mounts, racks, components and accessories are used, transportation of any other incidental or consequential damage; and any implied warranty of merchantability and fitness for intended use are limited to the duration of this limited warranty. All product warranties are limited to material and workmanship.

Warranty

This Limited Warranty is provided in goodwill and extends only to the Original Purchaser of the IMS EP Installers Choice product – it is non-transferable. This warranty is automatically void if your Installers Choice™ product is modified in any way - improperly installed, extended beyond its stated weight capacity or otherwise misused or abused. This warranty cannot be transferred over or extended to anyone other than the initial purchaser. The Limited 5 year Warranty for all mount and related mount products is void if the mount is moved from its initial installation. To the absolute maximum extent permitted by applicable law, Installers Choice™ disclaims any other warranties, express or implied, including warranties of fitness for a particular purpose and warranties of merchantability. Installers Choice™ will not be liable for any damages whatsoever - arising out of the use or inability to use its products, even if Installers Choice™ has been advised of the possibility of such damages. To the maximum extent permitted by applicable law, Installers Choice™ disclaims any responsibility for incidental or consequential damages.

Installers Choice™ warrants to Original end-users of Installers Choice™ products that Installers Choice™ products will be free from defects in material and workmanship, under normal use, for a period of five years from the date of purchase by the original end-user. At its option, Installers Choice™ will repair or replace, or refund the purchase of prices of, any product which fails to conform with this limited five year warranty.

Any implied warranties which may apply in duration to a period of five years from the date of purchase by the original end-user. Notwithstanding the preceding sentence, Installers Choice™ specifically disclaims all implied warranties, including, without limitation, implied warranties of merchantability and implied warranties of fitness for a particular purpose, with respect to products used for commercial purposes.

This warranty does not cover damage cause by (a) service or repairs by anyone other than authorized Installers Choice™ personnel, (b) the failure to utilize proper packing when returning the product, (c) improper installation or the failure to follow Installers Choice™ instructions or warnings, or (d) misuse or accident, in transit or otherwise.

In no event shall IMS EP Installers Choice™ be liable for incidental or consequential damages or damages arising form the theft of any product, whether or not secured by a security device which may be included with Installers Choice™ products.

Note: Some states do not allow the exclusion or limitation of incidental or consequential damages, so the above limitations or exclusion may not apply to you.