



The Intelix AVO-SVA2 transmits an S-Video signal and two analog audio signals up to 1,000 feet over structured cabling, such as Cat 5. Used in pairs, AVO-SVA2 baluns replace bulky S-Video cable and utilize a building's existing Cat 5/LAN cabling.

The Intelix **AvoCat** Series of baluns is the ideal solution for sending audio and video over structured cabling. **When signal quality matters, choose Intelix.**

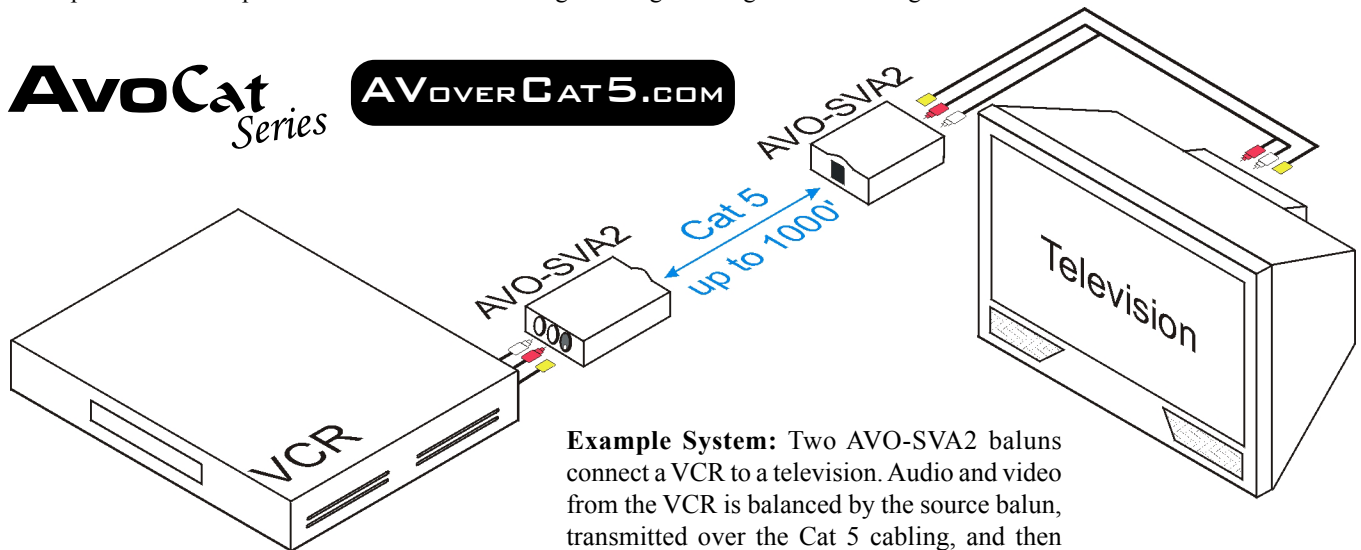
Technical Specifications

Maximum Distance*	1000 feet	Connectors	One (1) female S-video 4-pin and two (2) female RCA to one (1) RJ45
Maximum Input	1.1 Vp-p	RJ45 Pinout	S-Video Luma: 7 & 8, pair 4 S-Video Chroma: 4 & 5, pair 1 Channel 1 (R): 1 & 2, pair 2 Channel 2 (L): 3 & 6, pair 3
Bandwidth (video)	DC to 6 MHz	Temperature	Operating: 32 to 131 F (0 to 55 C) Storage: -4 to 185 F (-20 to 85 C) Humidity: up to 95%
Bandwidth (audio)	20 Hz to 20 kHz	Enclosure	Black plastic
Impedance (video)	75 ohms	Dimensions	4.3" x 2.5" x 1"
Impedance (audio)	600 ohms minimum	Weight	0.2 lbs (3.2 oz)
Insertion Loss	Less than 2 dB over the frequency range	Ordering Information	<i>AVO-SVA2</i> : single AVO-SVA2 in bulk packaging <i>AVO-SVA2-PAC</i> : two AVO-SVA2 baluns in retail-ready packaging
Return Loss	Greater than 15 dB over the frequency range	Warranty	Two years
Common Mode Rejection	Greater than 40 dB over the frequency range		
Unshielded Twisted Pair Cabling Specifications (24 gauge or lower solid copper)	Maximum capacitance: 20 pf/foot Impedance: 100 ohms @ 1 MHz Attenuation: 6.6 dB/1000 ft. @ 1 MHz <i>Cat 5, Cat 5e, Cat 6, Cat 7 compatible</i>		

*Distances and picture quality may be affected by cable grade, cable quality, source and destination equipment, RF and electrical interference, and cable patches. Intelix specifications are based on straight-through cabling with standard-grade Cat 5.

AvoCat Series

AVOVERCAT5.COM



Example System: Two AVO-SVA2 baluns connect a VCR to a television. Audio and video from the VCR is balanced by the source balun, transmitted over the Cat 5 cabling, and then unbalanced by the receive balun.