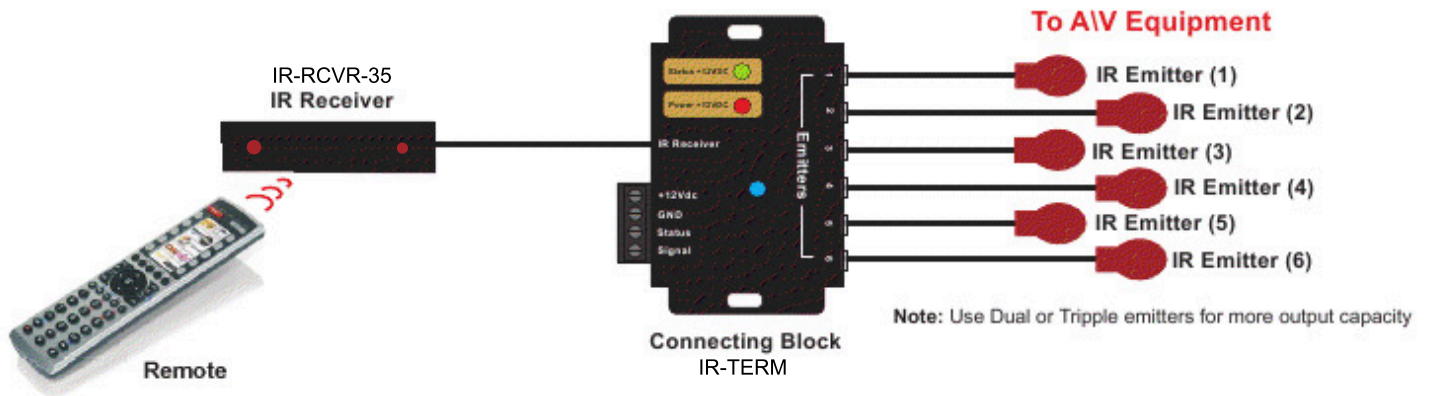


Cable Solutions Expandable IR Repeater System



Features:

- * Send signals to 6 or more emitters
- * Detachable IR Receiver input connector
- * Power, Ground, Status and Signal
- * IR Receiver input jack .125"(3.5mm)
- * 12VDC powered
- * IR Confirmation LED
- * Power LED
- * Status Confirmation LED
- * Quick Mount
- * Sleek thin receiver design

Specifications

The IR-SYS Includes (1) Distribution Block, (1) Surface Mount Receiver, (1) IR Emitter, (1) 12VDC 300mA power supply
 DC Power Supply (included) 12VDC 300ma, positive center
 Status +12VDC Input
 (6) Ports .125" (3.5mm) mono IR Emitter outputs
 (1) Detachable, 4-conductor, IR Receiver In connector
 (2) .125" (3.5mm Stereo Jack) IR Receiver Input
 Dimensions, IR Receiver 1.76" long x 0.61" wide x 0.5" deep (including adhesive)
 Dimensions, Distribution Block - 3.25"w x 1.85"h x 1"d
 Distribution Block Weight: 6 oz.